

**Allom**

**Architectural Lighting**

The object is the object - Studio FPM 1973



God is in the Details - Mies Van de Rohe 1929

## Awards

Design awards, Italy, Germany, USA and UK

Product in Museum of Modern Art, New York, MOMA, since 1973



**MOMA**

## Logistics

Allom Architectural Lighting delivers all over Europe via London, Antwerp, Berlin, Milan, Paris, Warsaw, Zurich.

Gulf and Asia Pacific - Dubai, Doha, Mumbai, Seoul, Singapore, Sydney, and Tokyo.

USA - Baltimore, Cleveland, Houston, Long Beach.

### Digital Infrastructure

Revit, Cobuilder, Solidworks, Adobe Creative Suite, Sage 50, Office 365.

## Product Compliance

Guarantee - 10 years warranted and insured by Lloyd's of London

Heat transfer thermal dynamics convection cooling laminar flow

Allom Cool Head Technology™

**OPTIM•AL™**

385+ luminaires;

£5m product liability insurance for each major market;

a solid state company for electronics research and development.

Long product life, recyclable, biodegradable packaging Industrial, Retail, Residential.

TUV / CE/ Rohs / Recolight / UKCA ISO 9001 ISO 14001

# Timing is everything

- 1961** Peter Nelson, Britains foremost aircraft modeller, starts AL, designs and makes Series S.  
Prior to this he modelled 12 versions of the Constellation aeroplane working with Howard Hughes.
- 1967** Series A designed and made. 'More with less'.  
750watt Light Box for retail, and gallery lighting.
- 1972** AL is the first lighting business in Europe to give a 5 year guarantee.
- 1974** Manufacture in Japan, USA and Italy.  
'The Object is the object', the purpose of our work is to make better products  
and a better world.
- 1975** Cylinder Series UK and USA, 'The best for the most with the least'
- 1982** Series 20, mr16
- 1987** Series 30, B15d
- 1990** Series 900
- 1992** Allom picture lights
- 1995** Series 200, GU10
- 2004** Series 40, AR111, Allom Cool Head Technology™
- 2008** LED modules, Newton Series, patented UK, EU, USA, Brunel, Red Dot.
- 2017** Greenlight for vertical farming
- 2021** Medic-AL, Dept. for Health, Covid solution.
- 2022** Electric Vehicle charging point for kerbside,  
Skyraft patented UK, EU, USA & Skydisk.
- 2023** Energy saving patented projectors for track and ceiling plate.
- 2024** OPTIM-AL 10 years warranted and insured

# Philosophy

We work continuously for a better world with longer product life, 98% recycling and always following the maxim of R. Buckminster Fuller: more with less.

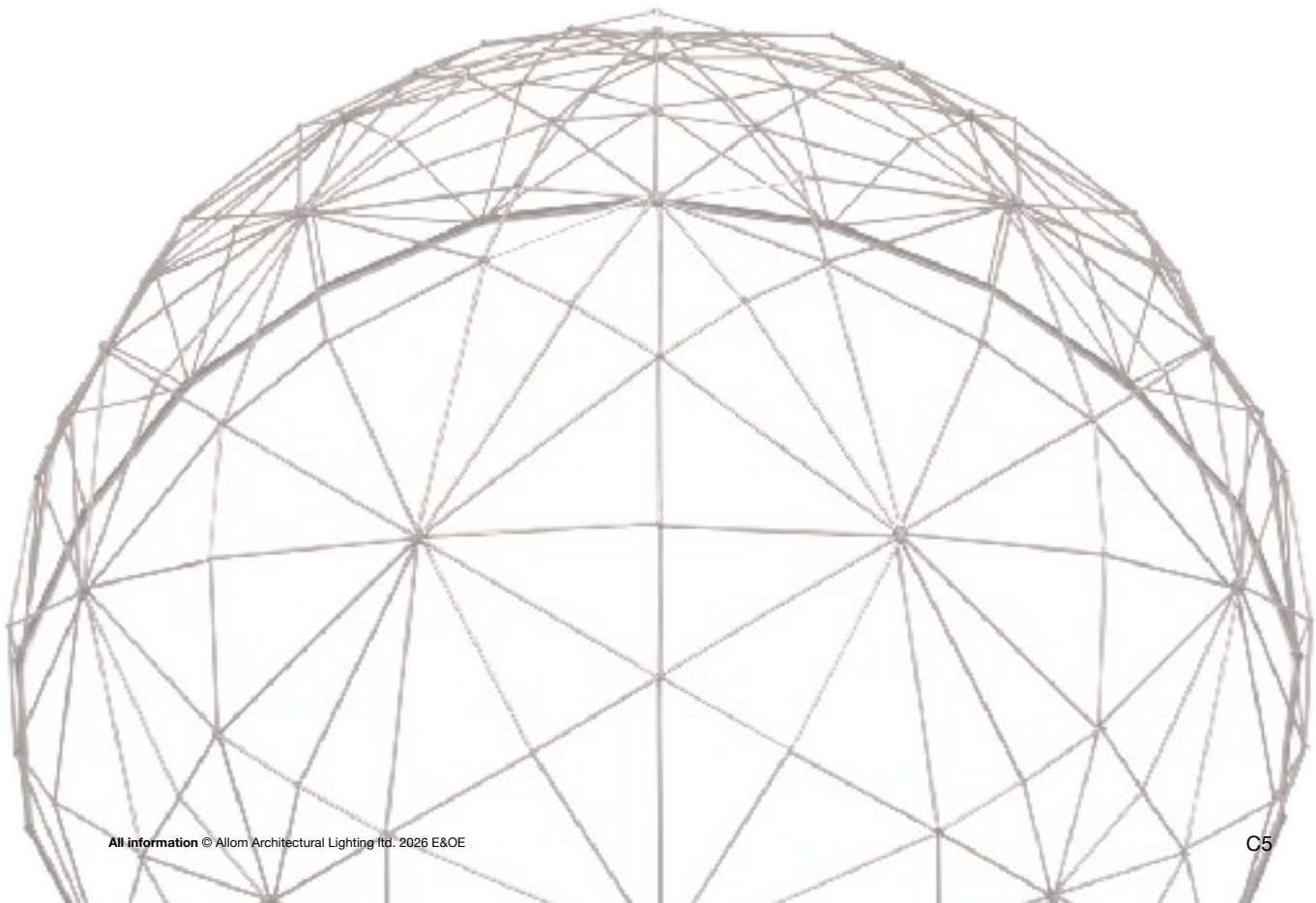
Wir arbeiten permanent an der verbesserung unserer produkte, um deren lebensdauer und 98% recyclebarkeit zu gewährleisten. Unser motto ist die maxime von R. Buckminster Fuller: more with less.

Nous travaillons continuellement pour un monde meilleur avec une duree de vie de produit plus longue, 98% recyclable et en suivant toujours la maxime de R. Buckminster Fuller: more with less.

Lavoriamo in continuazione per creare un mondo, con prodotti di lunga durata e riciclabili al 98%. Tuttocio sempre seguendo il motto di R. Buckminster Fuller: more with less.

Nosotros trabajamos continuamente para crear un mundo mejor, con productos más duraderos, reciclables en un 98% y siempre siguiendo el lema de R.Buckminster Fuller: more with less.

Nós trabalhamos continuamente para criar um mundo melhor, com produtos de longa duração, 98% reciclando e sempre seguindo o lema de R. Buckminster Fuller: more with less.



## Influences

"We do these things not because they are easy but because they are hard" -

President John F Kennedy

"God is in the details" - Mies van der Rohe

"One thing will be decisive the way we assert ourselves in the face  
of circumstance" - Mies van der Rohe

"We cross the river by feeling the stones" - Deng Xiaoping

"An engineer can be an artist, but an artist cannot be an engineer" -

Frank Malina, Paris 1966

"The object is the object. The purpose of our work is to make better products  
and a better world" - Studio FPM, Milan 1972

"More with less" - R. Buckminster Fuller

"The best for the most with the least" - Ray Eames

"Design is not about decoration; it is about creating a space that enhances life" –

Charlotte Perriand

Pythagoras, Fibonacci, Galileo, Newton, Faraday, Swan, Tatlin, Malevitch,  
Rodchenko, Lissitsky, Aalto, van der Rohe, Takis, Malina, Gabo, Spencer, Castelli,  
Magistretti, Castiglione, Straub, Boothby, Kape, Mari.



## Products - All with 10 year guarantee

# OPTIM●AL

|                    |  |
|--------------------|--|
| <b>GU10</b>        | 1.9 watt 398 lumen non dim 36 degree 50,000 hours<br>Energy label A  |
| <b>INTEGRATED</b>  | 5 watt 600 lumens dim 3/4/6K switchable, CRI90, IP65 fire rated 90mins<br>38 degree<br>Energy label E  |
| <b>CIRCULAR</b>    | Bulkhead with only 68mm projection<br>12 watts, 1440 lumens, 3/4/6.5K switchable, IP65<br>on-off, micro-sensor, EM, 3 year 2x batteries, 3 hours Li-ion.<br>Energy Label E<br><br>Bulkhead with 78mm projection to take a 20mm conduit tube 12 watts,<br>1440 lumens, 3/4/6.5K switchable, IP65<br>on-off, micro-sensor, EM, 3 year 2x batteries, 3 hours Li-ion for 20% output.<br>Energy Label E |
| <b>SKYDISK</b>     | Circular Highbay, 298mm dia 145 watt 29725 lumen IP65,<br>60,000 hours service life,<br>3 metre chainset and 3 metre power cable 4/5/6.6K switchable,<br>Beam 55 or 85 degrees<br><br>EM version as above but with 3 year, 3 hour Li-Ion battery for 10%.<br>Energy label B  |
| <b>SKYRAFT</b>     | Linear Highbay, Made in Aluminium.<br>Energy saving, COOL BRIDGE, IP65.<br><br>Optional EM version at 20% performance for 3 hours with 3 Li-ION batteries<br>with 3 year battery life.<br>3.5 metre chains and 3.5 metre power feeds as required<br>10 year guarantee, 80,000 Service life<br>3/4/5/6K switchable<br>Energy label D  |
| <b>DREADNOUGHT</b> | Bulkhead Series, Diecast Stainless steel body, 20/30/50 watts,<br>3000, 5000, 8000 lumen 3/4/5/6K switchable, M/S, Fire rated 90 minutes<br><br>EM version available 20% for 3 hours and 3 year life<br>Energy label C and E   |
| <b>PROJECTOR</b>   | Fixed Beam Track and ceiling plate.<br>The overall wattage for major retail stores is 15watts. 2400lm, 160lm/watt<br>Energy label C  |
| <b>NEWTON</b>      | A series of 17 task lights at 8 watts and 1280 lumens, the best in class,<br>with a universal dimmable driver at 97v-277v<br>Energy label C  |
| <b>EVCP</b>        | Rapid Electrical Vehicle Charging Point  |



# OPTIM•AL



Guarantee

Energy

Product Code

OPGU10A3983N36UKEU

## OPTIM•AL GU10 Longlife/Glass

|                       |   |
|-----------------------|---|
| <b>Guarantee</b>      | 10 years warranted and insured by Lloyd's of London |
| <b>Energy Label</b>   | A   |
| <b>Watts</b>          | 1.9 Watts   |
| <b>Lumens</b>         | 398 Lumens  |
| <b>CCT</b>            | 3000k, lumens/watt 210                              |
| <b>CRI</b>            | 80  |
| <b>Dimensions</b>     | Dia. 50mm, Height 55.5mm                            |
| <b>Service Life</b>   | 50,000 Hours  |
| <b>Beam Angle</b>     | 36 Degrees  |
| <b>Dimmable</b>       | Non Dim   |
| <b>Certifications</b> | UKCA CE RoHS SELV Recolight, ISO 9001 ISO 14001     |
| <b>Driver</b>         | Constant Current                                    |
| <b>Trade Mark</b>     | <b>OPTIM•AL</b>                                     |



# OPTIM•AL



Guarantee

Energy

Product Code

OPINTE600346D900365FR90UKEU

## INTEGRATED FIREPROOF

## Integrated downlight fire rated

|                        |   |
|------------------------|---|
| <b>Fire Rated</b>      | 90 minutes  |
| <b>Guarantee</b>       | 10 years warranted and insured by Lloyd's of London                           |
| <b>Energy Label</b>    | E   |
| <b>Watts</b>           | 5   |
| <b>Lumens</b>          | 600   |
| <b>Lumens per Watt</b> | 120   |
| <b>CCT</b>             | 3/4/6k switchable   |
| <b>CRI</b>             | 80  |
| <b>Dimensions</b>      | Dia. 84mm, cut out 68mm dia   |
| <b>Service Life</b>    | 60,000 Hours rating   |
| <b>Beam Angle</b>      | 38 Degrees  |
| <b>Bezel</b>           | RAL 9003 White  |
| <b>Dimmable</b>        | Dimmable recommended with Varilight Pro                                       |
| <b>IP</b>              | IP65  |
| <b>Certifications</b>  | CE RoHS SELV, UKCA, Recolight, VDE, TUV<br>ISO 9001, ISO 14001, SEDEX & SMETA |
| <b>Trade mark</b>      | <b>OPTIM•AL</b>   |



# OPTIM•AL



Guarantee

Energy

Product Code

OPCIRCE14403465N900354UKEU  
OPCIRCE14403465N901054UKEU  
OPCIRCE14403465N900354MSUKEU  
OPCIRCE14403465N901054MSUKEU  
OPCIRCE14403465N90039054EMUKEU  
OPCIRCE14403465N90109054EMUKEU  
OPCIRCE14403465N90039054EMMSUKEU  
OPCIRCE14403465N90109054EMMSUKEU

## CIRCULAR BULKHEAD

## Fire Retardant Polycarbonate

|                               |   |
|-------------------------------|---|
| <b>Guarantee</b>              | 10 years warranted and insured by Lloyd's of London   |
| <b>Energy label</b>           | E   |
| <b>Lumens</b>                 | 1440  |
| <b>Lumens/Watt</b>            | 120 lumens at 12 watts  |
| <b>Watts</b>                  | 12 Watts, Non DIM   |
| <b>CCT</b>                    | 3000K/4000K/6500K switchable  |
| <b>CRI</b>                    | 80  |
| <b>Colour</b>                 | RAL 9003 White or RAL 9010 Warm White   |
| <b>Driver</b>                 | PF95  |
| <b>Certificate</b>            | TUV CE Rohs Recolight   |
| <b>Dimensions</b>             | 315mm dia, 68mm projection  |
| <b>Service Life</b>           | 50000 hours /10 years, 2x Li-Ion batteries at 3.2V and 150mAh, total 6.4V and 300mAh, 3 years and 3 hours |
| <b>Uses</b>                   | General lighting, ceiling or wall, stairs and communal areas  |
| <b>IP</b>                     | IP65  |
| <b>Design &amp; Copyright</b> | Studio FPM  |
| <b>Trade Mark</b>             | <b>OPTIM•AL</b>   |



# OPTIM•AL



Guarantee

Energy

Product Code

OPCIRCCONE14403465N900365UKEU  
OPCIRCCONE14403465N900365MSUKEU  
OPCIRCCONE14403465N900365EMUKEU  
OPCIRCCONE14403465N900365EMMSUKEU

## CIRCULAR BULKHEAD

### Fire Retardant Polycarbonate

|                               |   |
|-------------------------------|---|
| <b>Guarantee</b>              | 10 years warranted and insured by Lloyd's of London   |
| <b>Energy label</b>           | E   |
| <b>Lumens</b>                 | 1440  |
| <b>Lumens/Watt</b>            | 120 lumens at 12 watts  |
| <b>Watts</b>                  | 12 Watts, Non DIM   |
| <b>CCT</b>                    | 3000K/4000K/6500K switchable  |
| <b>CRI</b>                    | 80  |
| <b>Colour</b>                 | RAL 9003 White or RAL 9010 Warm White   |
| <b>Driver</b>                 | PF95  |
| <b>Certificate</b>            | TUV CE Rohs Recolight   |
| <b>Dimensions</b>             | 315mm dia, 78mm projection to take a 20mm conduit tube  |
| <b>Service Life</b>           | 50000 hours /10 years, 2x Li-Ion batteries at 3.2V and 150mAh, total 6.4V and 300mAh, 3 years and 3 hours |
| <b>Uses</b>                   | General lighting, ceiling or wall, stairs and communal areas  |
| <b>IP</b>                     | IP65  |
| <b>Design &amp; Copyright</b> | Studio FPM  |
| <b>Trade Mark</b>             | <b>OPTIM•AL</b>   |



# OPTIM•AL



**Guarantee.**

**Energy**

**Product Code**

- OPDISKB29725456.565UKEU
- OPDISKB29725456.565EMUKEU
- OPDISKB20500456.565UKEU
- OPDISKB20500456.565EMUKEU
- OPDISKB15375456.565UKEU
- OPDISKB15375456.565EMUKEU

## SKY DISK

### Top Spec Circular Highbay Series with 3 lumen outputs

|                     |  |
|---------------------|--|
| <b>Guarantee</b>    | Flicker Free – 10 years warranted and insured Lloyd’s of London  |
| <b>Material</b>     | High pressure die cast aluminum body, RAL 9004   |
| <b>Lumens</b>       | 29725, 20500, 15375, Lumileds 2835   |
| <b>Watts</b>        | 145, 100, 75   |
| <b>CCT</b>          | 4/5/6.5k Switchable, beam 55 or 85 degrees   |
| <b>CRI</b>          | 80   |
| <b>Types</b>        | On-off, MS, 3 metre power feeds and 3 metre chainsets<br>EM version with 10% output on 3 or 2 Li-Ion batteries, 3 hours and 3 years life, smart controls on application, Bluetooth, Dali, ZigBee |
| <b>Driver</b>       | 1x Lifud, 200watt for 145, 100 or 75 watts   |
| <b>Certificate</b>  | TUV, CE, RoHS, SELV, Recolight, UKCA   |
| <b>Dimensions</b>   | 298mm dia, weight 4 or 6 kg  |
| <b>Service Life</b> | 60,000 hours   |
| <b>Uses</b>         | Industrial, Warehouse, Rail  |
| <b>IP</b>           | IP65   |
| <b>Design</b>       | Studio FPM   |
| <b>Trade mark</b>   | <b>OPTIM•AL™</b> Allom Cool Head Technology™   |

Energy Saving  
**Skyraft**



**OPTIM•AL**



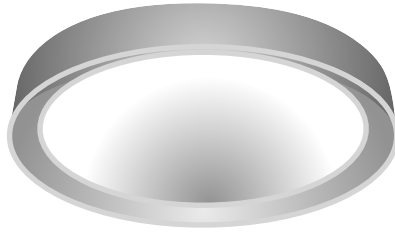
**Guarantee**

**Energy**

**Product Code**

OPRAFTC27700456DMSUKEU  
OPRAFTC27700456DMSEMUKEU  
OPRAFTC20775456DMSUKEU  
OPRAFTC20775456DMSEMUKEU  
OPRAFTC13850456DMSUKEU  
OPRAFTC13850456DMSEMUKEU

|                      |   |
|----------------------|---|
| <b>SkyRaft</b>       | <b>Top specification Highbay with COOL BRIDGE</b>   |
| <b>Guarantee</b>     | Flicker free; 10 years, warranted and insured Lloyd's of London   |
| <b>Energy Label</b>  | D   |
| <b>Material</b>      | Aluminium   |
| <b>Lumens</b>        | Lumens per watt 143, for 25000 total lumens   |
| <b>Watts/Voltage</b> | 175w, 97-277v   |
| <b>CCT</b>           | 3/4/5/6K Switchable   |
| <b>CRI</b>           | 80  |
| <b>Beam Angle</b>    | 90 degrees  |
| <b>Types</b>         | On-off, MS, dim and/or EM Li-Ion 3 x 3 hour or 2 x 3 hour at 20%,<br>3 year life. Casambi on application<br>STOOW power cable and chain standard 3.5m long or length to order,<br>ATEX ZONE 2, fireproof dust cover |
| <b>Drivers</b>       | 1 x isolated Inventronic at 200w  |
| <b>Certificate</b>   | VDE, TUV, UKCA, CE, Rohs, SELV, Recolight,<br>UL, CUL, ATEX Zone 2  |
| <b>Dimensions</b>    | 900 x 453 x 52 mm Weight 6.3kg or EM 8.3kg  |
| <b>Service life</b>  | 80000 hours L70   |
| <b>Uses</b>          | Data Centres, Warehouses, Industrial  |
| <b>IP</b>            | 54, IK08  |
| <b>Design</b>        | Studio FPM  |
| <b>Trademark</b>     | <b>OPTIM•AL</b> : Patented UK, EU, USA. Allom Cool Head Technology™   |



# OPTIM•AL



**Guarantee**

**Energy**

**Product Code**

OPDREFE2400N34565UKEU  
OPDREFE2400N34565MSUKEU  
OPDREFE2400N34565EMUKEU  
OPDREFE2400N34565EMMSUKEU

## DREADNOUGHT Series

**3 sizes, microsensors, dimmable, DALI, EM for airport, railway stations, sports stadiums, commercial and residential installations**

|                               |  |
|-------------------------------|--|
| <b>Guarantee</b>              | 10 years, insured with Lloyds of London  |
| <b>Energy Label</b>           | C  |
| <b>Lumens</b>                 | 3000-5000-8000   |
| <b>Watts</b>                  | 20, 30 or 50   |
| <b>CCT</b>                    | 3/4/5/6K switchable  |
| <b>CRI</b>                    | 80   |
| <b>Dimensions</b>             | 30, 50, 80 cm diameter   |
| <b>Projection</b>             | 50, 60, 80mm   |
| <b>Surface</b>                | Ceiling or Wall  |
| <b>Lens</b>                   | Super tough convex Gorilla glass   |
| <b>Body</b>                   | Die cast in 'thin wall' stainless steel 304  |
| <b>Certifications</b>         | UKCA, CE, TUV, VDE, RoHS, UL, CUL  |
| <b>IP/IK</b>                  | IP 67, IK 10, EN 62262   |
| <b>Driver</b>                 | Inventronic 10 year guarantee, dim, MS, EM version, 3 hour 20% output 3-year life. Li-ion batteries 1 for 30 cm, 2 for 50 cm and 3 for 80 cm diameter. |
| <b>Design &amp; Copyright</b> | Studio FPM   |
| <b>Trademark</b>              | <b>OPTIM•AL</b>  |



# OPTIM•AL



**Guarantee**

**Energy**

**Product Code**

OPDREFE2400N34565UKEU  
 OPDREFE2400N34565MSUKEU  
 OPDREFE2400N34565EMUKEU  
 OPDREFE2400N34565EMMSUKEU

## **DREADNOUGHT BULKHEAD FULL**     **Diecast Aluminium body**

|                               |  |
|-------------------------------|--|
| <b>Guarantee</b>              | Insured 10 years; batteries 3 year rating/ 3 year performance  |
| <b>Body</b>                   | Die cast in 'thin wall' stainless steel 304  |
| <b>Energy Label</b>           | E  |
| <b>Lumens</b>                 | 2400   |
| <b>Watts</b>                  | Watts 20, lumens/watt 120  |
| <b>CCT</b>                    | 3/4/5/6K switchable  |
| <b>CRI</b>                    | 80   |
| <b>Dimensions</b>             | 350mm dia x 107mm  |
| <b>Types</b>                  | On-off; plus micro-wave sensor; or emergency 3 hour Lithium Ion batteries; battery life rating 3 years |
| <b>Service Life</b>           | 60000 hours  |
| <b>Certifications</b>         | TUV, CE, Rohs, SELV, UKCA, Recolight   |
| <b>Uses</b>                   | Retail warehouse, industrial, exterior office, residential, general                                    |
| <b>IP/IK</b>                  | IP65/IK10  |
| <b>Driver</b>                 | PF 95  |
| <b>Design &amp; Copyright</b> | Studio FPM   |
| <b>Trademark</b>              | <b>OPTIM•AL</b>  |

# OPTIM•AL



Guarantee

Energy

Product Code

OPDREHE240020N34565UKEU  
OPDREHE240020N34565MSUKEU  
OPDREHE240020N34565EMUKEU  
OPDREHE240020N34565EMMSUKEU



## DREADNOUGHT BULKHEAD HALF Diecast Aluminium body

|                               |  |
|-------------------------------|--|
| <b>Guarantee</b>              | Insured 10 years; batteries 3 year rating/ 3 year performance  |
| <b>Body</b>                   | Die cast in 'thin wall' stainless steel 304  |
| <b>Energy Label</b>           | E  |
| <b>Lumens</b>                 | 2400   |
| <b>Watts</b>                  | Watts 20, lumens/watt 120  |
| <b>CCT</b>                    | 3/4/5/6K switchable  |
| <b>CRI</b>                    | 80   |
| <b>Dimensions</b>             | 350mm dia x 107mm  |
| <b>Types</b>                  | On-off; plus micro-wave sensor; or emergency 3 hour Lithium Ion batteries; battery life rating 3 years |
| <b>Service Life</b>           | 60,000 Hours   |
| <b>Certifications</b>         | UKCA CE RoHS SELV Recolight  |
| <b>Uses</b>                   | Retail warehouse, industrial, exterior office, residential, general                                    |
| <b>IP/IK</b>                  | IP65/IK10  |
| <b>Driver</b>                 | PF 95  |
| <b>Design &amp; Copyright</b> | Studio FPM   |
| <b>Trademark</b>              | <b>OPTIM•AL</b>  |

Energy Saving  
**Projector**



**OPTIM•AL**



**Guarantee**

**Energy**

**Product Code**

OPPROTRACC24003N159003UKEU  
OPPROTRACC24003N159004UKEU  
OPPROTRACC24003N15POLUKEU

**FIXED BEAM  
TRACK**

**Powder painted aluminium or polished and natural anodized  
aluminium White RAL 9003 and Black RAL 9004**

**Guarantee**

10 years warranted and insured by Lloyd's of London

**Energy label**

C

**Lumens**

2400, 160 lumens/watt

**Watts**

15 watts, 230 volts

**CCT**

3000K with 2-Step MacAdam

**CRI**

90

**Beam angle**

15 degrees, super optic lenses

**Driver**

Tridonic, PF 97 Non dimmable, 97-277v

**Certificate**

VDE, TUV, CE, Rohs, Recolight, NEMCO, UL, CUL, UKCA  
ISO 9001, ISO 14001, SEDEX, SMETA

**Dimensions**

180mm long, 90mm dia.

**Service Life**

60,000 hours /10 years

**Uses**

Retail, Museums, Showrooms

**IP**

54

**Euro track**

3 channels, 1 or 2 metres

**Patented**

UK/EU/USA convection cooling – Allom Cool Head Technology™

**Design**

Studio FPM

**Trademark**

**OPTIM•AL**

Energy Saving  
**Projector**



**OPTIM•AL**



**Guarantee**

**Energy**

**Product Code**

OPPROTRACC24003N249003UKEU  
OPPROTRACC24003N249004UKEU  
OPPROTRACC24003N24POLUKEU

**FIXED BEAM  
TRACK**

**Powder painted aluminium or polished and natural anodized  
aluminium White RAL 9003 and Black RAL 9004**

**Guarantee**

10 years warranted and insured by Lloyd's of London

**Energy label**

C

**Lumens**

2400, 160 lumens/watt

**Watts**

15 watts, 230 volts

**CCT**

3000K with 2-Step MacAdam

**CRI**

90

**Beam angle**

24 degrees, super optic lenses

**Driver**

Tridonic, PF 97 Non dimmable, 97-277v

**Certificate**

VDE, TUV, CE, Rohs, Recolight, NEMCO, UL, CUL, UKCA  
ISO 9001, ISO 14001, SEDEX, SMETA

**Dimensions**

180mm long, 90mm dia.

**Service Life**

60,000 hours /10 years

**Uses**

Retail, Museums, Showrooms

**IP**

54

**Euro track**

3 channels, 1 or 2 metres

**Patented**

UK/EU/USA convection cooling – Allom Cool Head Technology™

**Design**

Studio FPM

**Trademark**

**OPTIM•AL**

Energy Saving  
**Projector**



**OPTIM•AL**



**Guarantee**

**Energy**

**Product Code**

OPPROTRACC24003N369003UKEU  
OPPROTRACC24003N369004UKEU  
OPPROTRACC24003N36POLUKEU

**FIXED BEAM  
TRACK**

**Powder painted aluminium or polished and natural anodized  
aluminium White RAL 9003 and Black RAL 9004**

|                     |  |
|---------------------|--|
| <b>Guarantee</b>    | 10 years warranted and insured by Lloyd's of London                                      |
| <b>Energy label</b> | C  |
| <b>Lumens</b>       | 2400, 160 lumens/watt  |
| <b>Watts</b>        | 15 watts, 230 volts  |
| <b>CCT</b>          | 3000K with 2-Step MacAdam  |
| <b>CRI</b>          | 90   |
| <b>Beam angle</b>   | 36 degrees, super optic lenses   |
| <b>Driver</b>       | Tridonic, PF 97 Non dimmable, 97-277v  |
| <b>Certificate</b>  | VDE, TUV, CE, Rohs, Recolight, NEMCO, UL, CUL, UKCA<br>ISO 9001, ISO 14001, SEDEX, SMETA |
| <b>Dimensions</b>   | 180mm long, 90mm dia.  |
| <b>Service Life</b> | 60,000 hours /10 years   |
| <b>Uses</b>         | Retail, Museums, Showrooms   |
| <b>IP</b>           | 54   |
| <b>Euro track</b>   | 3 channels, 1 or 2 metres  |
| <b>Patented</b>     | UK/EU/USA convection cooling – Allom Cool Head Technology™                               |
| <b>Design</b>       | Studio FPM   |
| <b>Trademark</b>    | <b>OPTIM•AL</b>  |

Energy Saving  
**Projector**



**OPTIM•AL**



**Guarantee**



**Energy**

**Product Code**

OPPPROCCL24003N159003UKEU  
OPPPROCCL24003N159004UKEU  
OPPPROCCL24003N15POLUKEU

**FIXED BEAM  
CEILING PLATE**

**Powder painted aluminium or polished and natural anodized aluminium White RAL 9003 and Black RAL 9004**

|                     |  |
|---------------------|--|
| <b>Guarantee</b>    | 10 years warranted and insured by Lloyd's of London  |
| <b>Energy label</b> | C  |
| <b>Lumens</b>       | 2400, 160 lumens/watt  |
| <b>Watts</b>        | 15 watts, 230 volts  |
| <b>CCT</b>          | 3000K with 2-Step MacAdam  |
| <b>CRI</b>          | 90   |
| <b>Beam angle</b>   | 15 degrees, super optic lenses   |
| <b>Driver</b>       | Tridonic, PF 97 Non dimmable, 97-277v  |
| <b>Certificate</b>  | VDE, TUV, CE, Rohs, Recolight, NEMCO, UL, CUL, UKCA<br>ISO 9001, ISO 14001, SEDEX, SMETA             |
| <b>Dimensions</b>   | 180mm long, 90mm dia.<br>Ceiling plate 120mm dia., with rapid 3 pole connector<br>Cut out 100mm dia. |
| <b>Service Life</b> | 60,000 hours /10 years   |
| <b>Uses</b>         | Retail, Museums, Showrooms   |
| <b>IP</b>           | 54   |
| <b>Patented</b>     | UK/EU/USA convection cooling – Allom Cool Head Technology™   |
| <b>Design</b>       | Studio FPM   |
| <b>Trademark</b>    | <b>OPTIM•AL</b>  |

Energy Saving  
**Projector**



**OPTIM•AL**



**Guarantee**

**Energy**

**Product Code**

OPPPROCCL24003N249003UKEU  
OPPPROCCL24003N249004UKEU  
OPPPROCCL24003N24POLUKEU

**FIXED BEAM  
CEILING PLATE**

**Powder painted aluminium or polished and natural anodized aluminium White RAL 9003 and Black RAL 9004**

**Guarantee**

10 years warranted and insured by Lloyd's of London

**Energy label**

C

**Lumens**

2400, 160 lumens/watt

**Watts**

15 watts, 230 volts

**CCT**

3000K with 2-Step MacAdam

**CRI**

90

**Beam angle**

24 degrees, super optic lenses

**Driver**

Tridonic, PF 97 Non dimmable, 97-277v

**Certificate**

VDE, TUV, CE, Rohs, Recolight, NEMCO, UL, CUL, UKCA  
ISO 9001, ISO 14001, SEDEX, SMETA

**Dimensions**

180mm long, 90mm dia.  
Ceiling plate 120mm dia., with rapid 3 pole connector  
Cut out 100mm dia.

**Service Life**

60000 hours /10 years

**Uses**

Retail, Museums, Showrooms

**IP**

54

**Patented**

UK/EU/USA convection cooling – Allom Cool Head Technology™

**Design**

Studio FPM

**Trademark**

**OPTIM•AL**

Energy Saving  
**Projector**



**OPTIM•AL**



**Guarantee**

**Energy**

**Product Code**

OPPPROCCL24003N369003UKEU  
OPPPROCCL24003N369004UKEU  
OPPPROCCL24003N36POLUKEU

**FIXED BEAM  
CEILING PLATE**

**Powder painted aluminium or polished and natural anodized aluminium White RAL 9003 and Black RAL 9004**

|                     |  |
|---------------------|--|
| <b>Guarantee</b>    | 10 years warranted and insured by Lloyd's of London  |
| <b>Energy label</b> | C  |
| <b>Lumens</b>       | 2400, 160 lumens/watt  |
| <b>Watts</b>        | 15 watts, 230 volts  |
| <b>CCT</b>          | 3000K with 2-Step MacAdam  |
| <b>CRI</b>          | 90   |
| <b>Beam angle</b>   | 36 degrees, super optic lenses   |
| <b>Driver</b>       | Tridonic, PF 97 Non dimmable, 97-277v  |
| <b>Certificate</b>  | VDE, TUV, CE, Rohs, Recolight, NEMCO, UL, CUL, UKCA<br>ISO 9001, ISO 14001, SEDEX, SMETA             |
| <b>Dimensions</b>   | 180mm long, 90mm dia.<br>Ceiling plate 120mm dia., with rapid 3 pole connector<br>Cut out 100mm dia. |
| <b>Service Life</b> | 60000 hours /10 years  |
| <b>Uses</b>         | Retail, Museums, Showrooms   |
| <b>IP</b>           | 54   |
| <b>Patented</b>     | UK/EU/USA convection cooling – Allom Cool Head Technology™   |
| <b>Design</b>       | Studio FPM   |
| <b>Trademark</b>    | <b>OPTIM•AL</b>  |



Photography: Elizabeth Brown

Photographed at Woolsthorpe Manor, the birthplace of Sir Isaac Newton with the actual tree in the background courtesy of the National Trust.

### Isaac Newton (1643 - 1727)



Newton was an English physicist and mathematician and the greatest scientist of his era.

Isaac Newton was born on 4 January 1643 at Woolsthorpe Manor, Lincolnshire. In 1661, he went to Cambridge University where he became interested in mathematics, optics, physics and astronomy. In October 1665 a plague epidemic forced the university to close and Newton returned to Woolsthorpe Manor. The two years he spent there were an extremely productive time during which he began to think about gravity, and also devoted time to optics and mathematics.

In 1667 Newton returned to Cambridge, where he became a Fellow of Trinity College. It was Newton's reflecting telescope, made in 1668, that finally brought him to the attention of the scientific community and in 1672 he was made a Fellow of the Royal Society. From the mid 1660's Newton conducted a series of experiments on the composition of light, discovering that white light is composed of the same system of colours that can be seen in a rainbow and establishing the modern study of optics. In 1704 Newton published 'The Opticks' which dealt with light and colour.

However, in 1687, with the help of the astronomer Edmond Halley, Newton published his single greatest work, the 'Philosophiae Naturalis Principia Mathematica' ('Mathematical Principles of Natural Philosophy'). This showed how a universal force, gravity, applied to all objects in all parts of the universe.

In 1703 he was elected President of the Royal Society, an office he held until his death. He died on 31 March 1727 and was buried in Westminster Abbey. He was 84 years old.



# Newton

# OPTIM•AL



Guarantee

Energy

Product Code

OPNEWT804B11103D60UKEU

## NEWTON

804

**Guarantee** 10 years warranted and insured by Lloyd's of London

**Energy Label** C

**Watts** 8 Watts

**Lumens** 1280

**Lumens per Watt** 160

**CCT** 3000K

**CRI** 90

**Dimensions** Arms both 360mm

**Service Life** 60,000 hours

**Beam Angle** 7 x (2 x 30°) TIR reflectors (60°) super reflective

**Dimmable** Dimmable

**Driver** 10 Watt Universal Driver 97-277v dimmable

**Materials** Hand polished top grade Australian aircraft aluminium head clear lacquered and base plated, arms anodised

**Certifications** UKCA, UL, CE, VDE and TUV

**Patented** UK, EU, USA.

**Design** Giancarlo Fassina and Carlo Forcolini, Studio FPM patented head with convection cooling UK, EU, USA

**Trademark** OPTIM•AL

# Newton

# OPTIM•AL



**10**  
Year



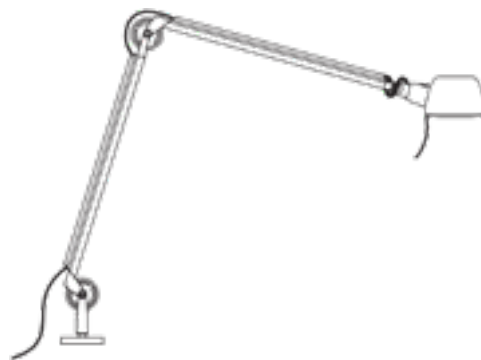
Guarantee

Energy

Product Code



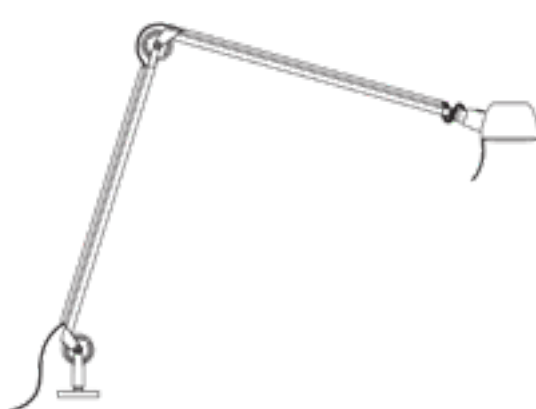
**804 36 in**  
mini desk top  
£ 355  
OPNEWT804IN36B11103D60UKEU



**804 36 out**  
mini desk top  
£ 355  
OPNEWT804OUT36B11103D60UKEU



**805 46 in**  
desk top  
£ 375  
OPNEWT805IN46B11103D60UKEU



**805 46 out**  
desk top  
£ 375  
OPNEWT805OUT46B11103D60UKEU

# Newton

# OPTIM•AL



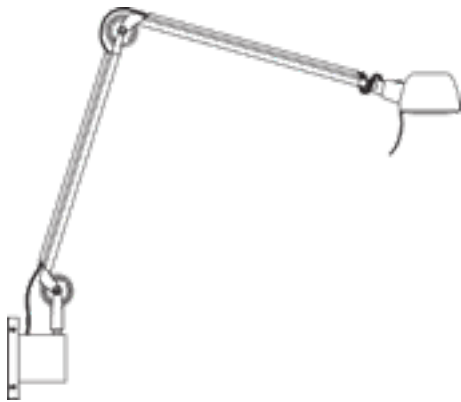
**10**  
Year



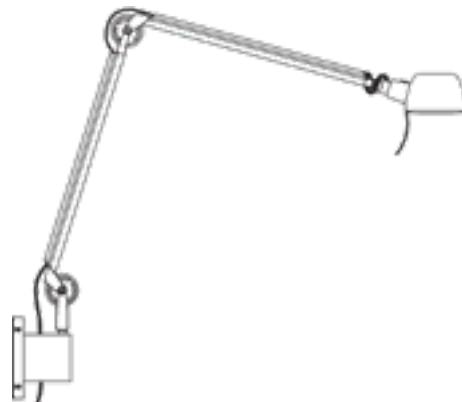
Guarantee

Energy

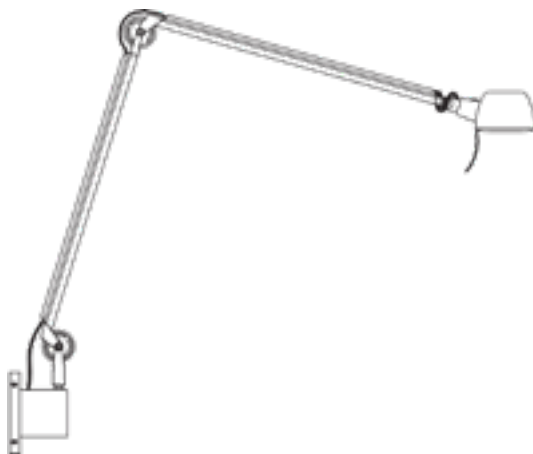
Product Code



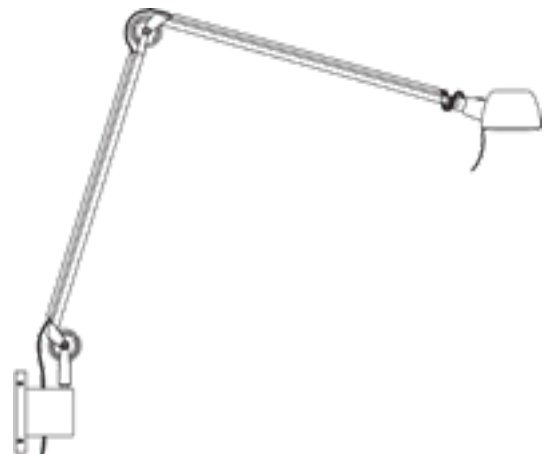
**803 36 in**  
wall two arm  
£ 365  
OPNEWT803IN36B11103D60UKEU



**803 36 out**  
wall two arm  
£ 365  
OPNEWT803OUT36B11103D60UKEU



**803 46 in**  
wall two arm  
£ 395  
OPNEWT803IN46B11103D60UKEU



**803 46 out**  
wall two arm  
£ 395  
OPNEWT803OUT46B11103D60UKEU

# Newton

# OPTIM•AL



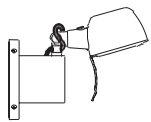
10  
Year



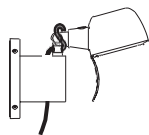
Guarantee

Energy

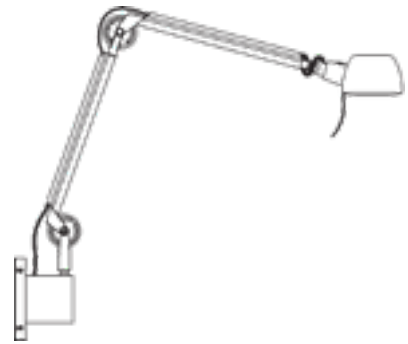
Product Code



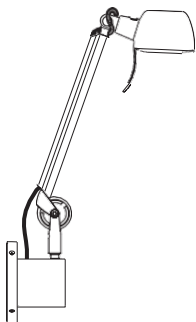
**800 in**  
wall  
£ 295  
OPNEWT800INB11103D60UKEU



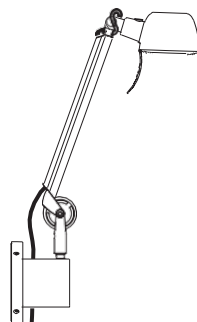
**800 out**  
wall  
£ 295  
OPNEWT800OUTB11103D60UKEU



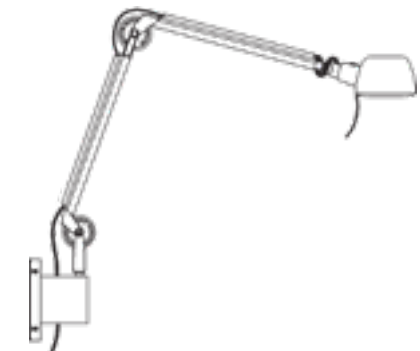
**802 25 in**  
two arm  
£ 345  
OPNEWT802INB11103D60UKEU



**801 in**  
wall one arm  
£ 325  
OPNEWT801INB11103D60UKEU



**801 out**  
wall one arm  
£ 325  
OPNEWT801OUTB11103D60UKEU



**802 25 out**  
wall two arm  
£ 345  
OPNEWT802OUTB11103D60UKEU

# Newton

# OPTIM•AL



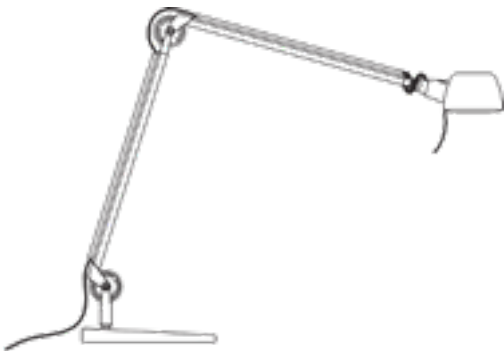
**10**  
Year



Guarantee

Energy

Product Code



**804 36**

Mini table

£ 395

OPNEWT804B11103D60UK

OPNEWT804B11103D60EU



**805 46**

Table

£ 425

OPNEWT805B11103D60UK

OPNEWT805B11103D60EU



**806 100 46**

Floor

£ 495

OPNEWT806B11103D60UK

OPNEWT806B11103D60EU

**EVCP.**



Electrical Vehicle Charging Point



Guarantee

- 2 x 22kw, 2 x 55kw and 2 x 110kw AC 3 phase twin sockets and card readers
- RFID card/fob via OCCP management systems
- IP67 all weathers
- IK10 very robust structure with black nylon dampening seals and black nylon ribbon strips to all edges to dampen vibration
- 8 year guarantee, insured and certificated by Lloyds of London
- BSI tested and certificated, UKAL, CE, VDE, TUV, (UL and CUL later if required)
- 1300mm high x 420mm wide and 270mm deep
- Two Stainless Steel 304 pressed top and ribbed base plates 3mm thick to connect to the NAL inground
- Stainless Steel 304 body with many cutouts and welds for NAL fixing with 2 x M10 hexagon head bolts meter, 1 x twin card reader and 2x Mennekes charging sockets.
- Access panel covers 650mm high and 300mm wide to cover hole 600mm high and 250mm wide with black nylon ribbon 1mm thick all round inside of panel cover, secured with 8 x M8 stainless steel 304 bolts coated in black oxide & TORX security socket heads.
- E/driver Pay-to-charge smartphone integration
- Built in AC overload protection
- On board RFID readers and GPRS modem with antenna and ethernet connections
- OCCP-6 compliant, can integrate with any back office and remote firmware updates
- Type 2 (IEC 62196) 3 phase sockets c/w security hatchlocks
- Smart App/RFID controlled Mode 3 (IEC 61851-1) fast charging
- Painted with titanium epoxy powder RAL 9004, other colours by arrangement, on top of silicon dioxide
- Total of 52 TORX socket head M8 bolts, complete assembly with free issue TORX head wrenches

**Charging Socket(s):** 2 x IEC 62196-2 (Type 2) with illumination

Rated system output:

- 3.6 kW (16A), 7.2 kW (32A), and 22 kW
- Standby power consumption < 7w per socket

**Input Voltage:** 400V AC/50Hz (Single phase)

Overload & Fault Current Protection:

- Built in AC overload & Fault current protection (RCBO)
- Built in 6mA DC leakage protection
- Lightning surge protection
- TruePEN PME fault detection
- Support for dynamic load balancing & static load management
- Over-air software update/monitoring,
- Over temperature protection.

**Street Connection:** 5 x 50mm 3P + N + E

Energy Monitoring:

- Built in class 1 MID compliant kWh meter,
- Built in time clock for charge time management.

**Charging Mode:** IEC 61851-1 Mode 3

User interfacing:

- Plug and Charge Mobile App & RFID controlled
- Contactless payment systems interface
- Integrated RFID & GUI system panel

**Communications:**

- 4G LTE Cat-1
- Wi-Fi
- Ethernet connectivity
- Bluetooth BLE 4.1
- Encryption level TLS 1.2
- Open source card readers

**Compliance:**

OCCP compliant

BS 7671:2018 - SECTION 722 compliant.

## Products - All with 10 year guarantee

|                   |                               |                   |                                |
|-------------------|-------------------------------|-------------------|--------------------------------|
| <b>Series S</b>   |                               | <b>Series 30</b>  |                                |
| S                 | Wall and ceiling light        | 31                | Wall and ceiling light         |
| FS                | Single floor light            | 31T               | Tronic wall and ceiling light  |
| FS2               | Twin floor light              | 31/50             | Ceiling light                  |
| SS                | Wall and ceiling light        | 31/2x50           | Twin ceiling light             |
| FSS               | Single floor light            | 33/50             | Single footlight               |
| FSS2              | Twin floor light              | 33/2x50           | Twin footlight                 |
| <b>Series A</b>   |                               | <b>Series 40</b>  |                                |
| A                 | Wall and ceiling light        | 41                | Wall and ceiling light         |
| A/SW              | Switched wall light           | 41/2              | Twin ceiling light             |
| TA                | Table light                   | 41/4/1m           | Four lamp ceiling light        |
| FA                | Single floor light            | 41/6/1.5m         | Six lamp ceiling light         |
| FA2               | Twin floor light              |                   |                                |
| <b>Series 20</b>  |                               | <b>Series 200</b> |                                |
| 21                | Wall and ceiling light        | 201               | Wall and ceiling light         |
| 21T               | Tronic wall and ceiling light | 201/SW            | Switched wall light            |
| 21/50             | Single ceiling light          | 201/2             | Twin ceiling light             |
| 21/2x50           | Twin ceiling light            | 201/3             | Triple ceiling light           |
| 23/50             | Single footlight              | 201/4             | Four lamp ceiling light        |
| 23/2x50           | Twin footlight                | 201/6/1.5m        | Six lamp ceiling light         |
| 25/50             | Table light                   | 205               | Table light                    |
| 26/50             | Floor light                   | 206               | Floor light                    |
| <b>Downlights</b> |                               | <b>GU10</b>       |                                |
| Downlight         | IP20 Ceiling light            | GU10              | 5 or 7 watt, dim or non dim    |
| Downlight         | IP65 Bathroom light           | GU10              | 8.5, 1110 lumen, 63mm diameter |

## Series S

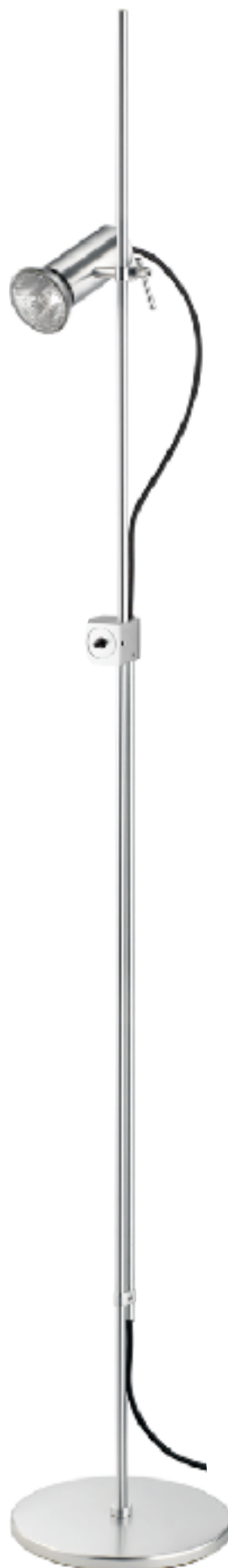
# AL



|                     |  |
|---------------------|--|
| <b>S</b>            | <b>Ceiling or wall light made from aircraft grade hand polished anodised aluminium</b> |
| <b>Guarantee</b>    | 10 years warranted and insured by Lloyd's of London                                    |
| <b>Energy label</b> | F  |
| <b>Lumens</b>       | 1275   |
| <b>Watts</b>        | 15   |
| <b>Lumen/Watts</b>  | 85   |
| <b>Dimensions</b>   | 150mm projection   |
| <b>Weight</b>       | 305 grams  |
| <b>Lamp</b>         | R95 LED  |
| <b>CCT</b>          | 3000K  |
| <b>CRI</b>          | 80   |
| <b>Beam angle</b>   | 120 degrees  |
| <b>Certificate</b>  | UKCA, CE, RoHS, Recolight  |
| <b>Trade mark</b>   | AL   |
| <b>Design</b>       | Peter Nelson   |

## Series S

# AL



|                     |   |
|---------------------|---|
| <b>FS</b>           | <b>Single floor light</b>                           |
| <b>Guarantee</b>    | 10 years warranted and insured by Lloyd's of London |
| <b>Energy label</b> | F   |
| <b>Lumens</b>       | 1275  |
| <b>Watts</b>        | 15  |
| <b>Lumen/Watts</b>  | 85  |
| <b>Dimensions</b>   | 1390mm height                                       |
| <b>Weight</b>       | 3700 grams  |
| <b>Lamp</b>         | R95 LED   |
| <b>CCT</b>          | 3000K   |
| <b>CRI</b>          | 80  |
| <b>Beam angle</b>   | 120 degrees   |
| <b>Certificate</b>  | UKCA, CE, RoHS, Recolight                           |
| <b>Trade mark</b>   | AL  |
| <b>Design</b>       | Peter Nelson  |

## Series S

# AL



|                     |   |
|---------------------|---|
| <b>FS2</b>          | <b>Twin floor light</b>                             |
| <b>Guarantee</b>    | 10 years warranted and insured by Lloyd's of London |
| <b>Energy label</b> | F   |
| <b>Lumens</b>       | 1275  |
| <b>Watts</b>        | 15  |
| <b>Lumen/Watts</b>  | 85  |
| <b>Dimensions</b>   | 1390mm height                                       |
| <b>Weight</b>       | 3950 grams  |
| <b>Lamp</b>         | R95 LED   |
| <b>CCT</b>          | 3000K   |
| <b>CRI</b>          | 80  |
| <b>Beam angle</b>   | 120 degrees   |
| <b>Certificate</b>  | UKCA, CE, RoHS, Recolight                           |
| <b>Trade mark</b>   | AL  |
| <b>Design</b>       | Peter Nelson  |



|                     |   |
|---------------------|---|
| <b>A</b>            | <b>Ceiling light</b>                                |
| <b>Guarantee</b>    | 10 years warranted and insured by Lloyd's of London |
| <b>Energy label</b> | F   |
| <b>Lumens</b>       | 1275  |
| <b>Watts</b>        | 15  |
| <b>Lumen/Watts</b>  | 85  |
| <b>Dimensions</b>   | 150mm projection                                    |
| <b>Weight</b>       | 360 grams   |
| <b>Lamp</b>         | R95, LED, E27                                       |
| <b>Beam angle</b>   | 35 degrees  |
| <b>Certificate</b>  | UKCA, CE, RoHS, Recolight                           |
| <b>Trade mark</b>   | AL  |
| <b>Design</b>       | Peter Nelson  |



|                     |   |
|---------------------|---|
| <b>A/SW</b>         | <b>Wall light</b>                                   |
| <b>Guarantee</b>    | 10 years warranted and insured by Lloyd's of London |
| <b>Energy label</b> | F   |
| <b>Lumens</b>       | 1275  |
| <b>Watts</b>        | 15  |
| <b>Lumen/Watts</b>  | 85  |
| <b>Dimensions</b>   | 150mm projection                                    |
| <b>Weight</b>       | 360 grams   |
| <b>Lamp</b>         | R95, LED, E27                                       |
| <b>Beam angle</b>   | 35 degrees  |
| <b>Certificate</b>  | UKCA, CE, RoHS, Recolight                           |
| <b>Trade mark</b>   | AL  |
| <b>Design</b>       | Peter Nelson  |

## Series A

# AL



|                     |   |
|---------------------|---|
| <b>TA</b>           | <b>Table lamp</b>                                   |
| <b>Guarantee</b>    | 10 years warranted and insured by Lloyd's of London |
| <b>Energy label</b> | F   |
| <b>Lumens</b>       | 1275  |
| <b>Watts</b>        | 15  |
| <b>Lumen/Watts</b>  | 85  |
| <b>Dimensions</b>   | 550mm height  |
| <b>Weight</b>       | 1850 grams  |
| <b>Lamp</b>         | R95, LED, E27                                       |
| <b>Beam angle</b>   | 120 degrees   |
| <b>Certificate</b>  | UKCA, CE, RoHS, Recolight                           |
| <b>Trade mark</b>   | AL  |
| <b>Design</b>       | Peter Nelson  |

## Series A

# AL



|                     |   |
|---------------------|---|
| <b>FA</b>           | <b>Single floor light</b>                           |
| <b>Guarantee</b>    | 10 years warranted and insured by Lloyd's of London |
| <b>Energy label</b> | F   |
| <b>Lumens</b>       | 1275  |
| <b>Watts</b>        | 15  |
| <b>Lumen/Watts</b>  | 85  |
| <b>Dimensions</b>   | 1390mm height                                       |
| <b>Weight</b>       | 3850 grams  |
| <b>Lamp</b>         | R95, LED, E27                                       |
| <b>Beam angle</b>   | 120 degrees   |
| <b>Certificate</b>  | UKCA, CE, RoHS, Recolight                           |
| <b>Trade mark</b>   | AL  |
| <b>Design</b>       | Peter Nelson  |

## Series A

# AL



|                     |   |
|---------------------|---|
| <b>FA2</b>          | <b>Twin floor light</b>                             |
| <b>Guarantee</b>    | 10 years warranted and insured by Lloyd's of London |
| <b>Energy label</b> | F   |
| <b>Lumens</b>       | 1275  |
| <b>Watts</b>        | 15  |
| <b>Lumen/Watts</b>  | 85  |
| <b>Dimensions</b>   | 1390mm height                                       |
| <b>Weight</b>       | 4250 grams  |
| <b>Lamp</b>         | R95, LED x 2, E27                                   |
| <b>Beam angle</b>   | 120 degrees   |
| <b>Certificate</b>  | UKCA, CE, RoHS, Recolight                           |
| <b>Trade mark</b>   | AL  |
| <b>Design</b>       | Peter Nelson  |



|                     |  |
|---------------------|--|
| <b>21</b>           | <b>Ceiling or wall light made from aircraft grade hand polished anodised aluminium</b> |
| <b>Guarantee</b>    | 10 years warranted and insured by Lloyd's of London                                    |
| <b>Energy label</b> | G  |
| <b>Lumens</b>       | 690  |
| <b>Watts</b>        | 9  |
| <b>Lumen/Watts</b>  | 77   |
| <b>Dimensions</b>   | 140mm projection   |
| <b>Weight</b>       | 210 grams  |
| <b>Lamp</b>         | GU5.3 MR16 LED 12V   |
| <b>CCT</b>          | 3000K  |
| <b>CRI</b>          | 90   |
| <b>Beam angle</b>   | 36 degrees   |
| <b>Certificate</b>  | UKCA, CE, RoHS, Recolight  |
| <b>Trade mark</b>   | AL   |
| <b>Design</b>       | Peter Nelson   |



**21T**                    **Ceiling or wall light made from aircraft grade hand polished anodised aluminium**

|                     |   |
|---------------------|---|
| <b>Guarantee</b>    | 10 years warranted and insured by Lloyd's of London |
| <b>Energy label</b> | G   |
| <b>Lumens</b>       | 690   |
| <b>Watts</b>        | 9   |
| <b>Lumen/Watts</b>  | 77  |
| <b>Dimensions</b>   | 140mm projection                                    |
| <b>Weight</b>       | 355 grams   |
| <b>Lamp</b>         | GU5.3 MR16 LED 12V                                  |
| <b>CCT</b>          | 3000K   |
| <b>CRI</b>          | 90  |
| <b>Beam angle</b>   | 36 degrees  |
| <b>Certificate</b>  | UKCA, CE, RoHS, Recolight                           |
| <b>Trade mark</b>   | AL  |
| <b>Design</b>       | Peter Nelson  |



|                     |  |
|---------------------|--|
| <b>21/50</b>        | <b>Ceiling or wall light made from aircraft grade hand polished anodised aluminium</b> |
| <b>Guarantee</b>    | 10 years warranted and insured by Lloyd's of London                                    |
| <b>Energy label</b> | G  |
| <b>Lumens</b>       | 690  |
| <b>Watts</b>        | 9  |
| <b>Lumen/Watts</b>  | 77   |
| <b>Dimensions</b>   | 180mm projection   |
| <b>Weight</b>       | 900 grams  |
| <b>Lamp</b>         | GU5.3 MR16 LED 12V   |
| <b>CCT</b>          | 3000K  |
| <b>CRI</b>          | 90   |
| <b>Beam angle</b>   | 36 degrees   |
| <b>Certificate</b>  | UKCA, CE, RoHS, Recolight  |
| <b>Trade mark</b>   | AL   |
| <b>Design</b>       | Peter Nelson   |



|                     |  |
|---------------------|--|
| <b>21 2x 50</b>     | <b>Ceiling or wall light made from aircraft grade hand polished anodised aluminium</b> |
| <b>Guarantee</b>    | 10 years warranted and insured by Lloyd's of London                                    |
| <b>Energy label</b> | G  |
| <b>Lumens</b>       | 690  |
| <b>Watts</b>        | 9  |
| <b>Lumen/Watts</b>  | 77   |
| <b>Dimensions</b>   | 220mm projection   |
| <b>Weight</b>       | 1613 grams   |
| <b>Lamp</b>         | GU5.3 MR16 LED 12V   |
| <b>CCT</b>          | 3000K  |
| <b>CRI</b>          | 90   |
| <b>Beam angle</b>   | 36 degrees   |
| <b>Certificate</b>  | UKCA, CE, RoHS, Recolight  |
| <b>Trade mark</b>   | AL   |
| <b>Design</b>       | Peter Nelson   |



|                     |   |
|---------------------|---|
| <b>23/50</b>        | <b>Single footlight</b>                             |
| <b>Guarantee</b>    | 10 years warranted and insured by Lloyd's of London |
| <b>Energy label</b> | G   |
| <b>Lumens</b>       | 690   |
| <b>Watts</b>        | 9   |
| <b>Lumen/Watts</b>  | 77  |
| <b>Dimensions</b>   | 180mm height  |
| <b>Weight</b>       | 1226 grams  |
| <b>Lamp</b>         | GU 5.3  |
| <b>CCT</b>          | 3000k   |
| <b>CRI</b>          | 90  |
| <b>Beam angle</b>   | 36 degrees  |
| <b>Certificate</b>  | UKCA, CE, RoHS, Recolight                           |
| <b>Trade mark</b>   | AL  |
| <b>Design</b>       | Peter Nelson  |

## Series 20

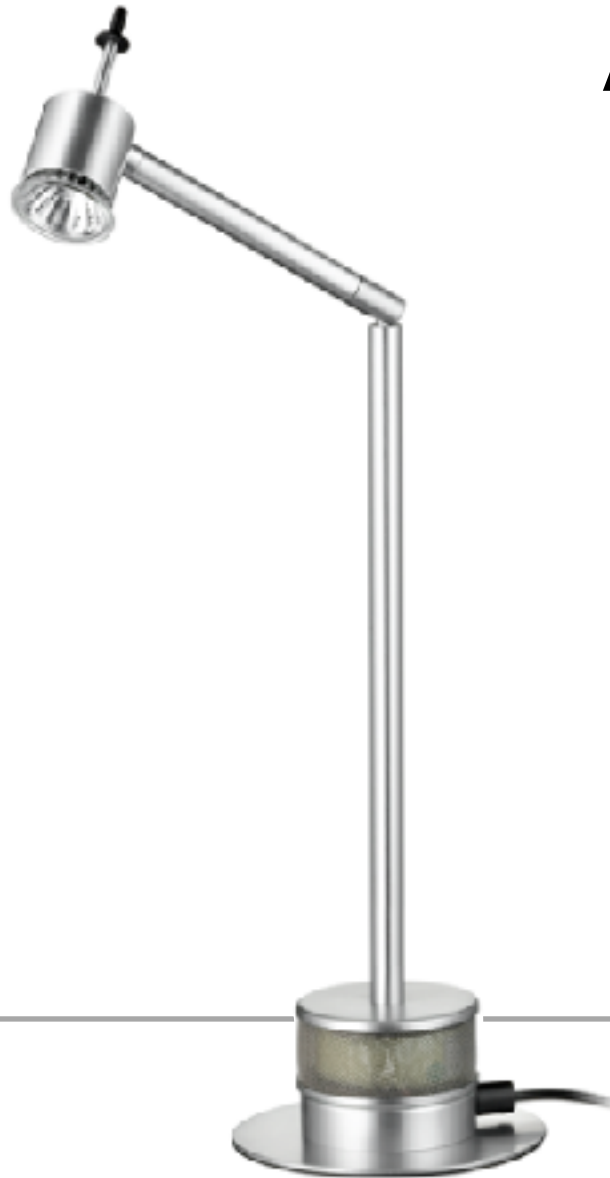
# AL



|                     |   |
|---------------------|---|
| <b>23/2x50</b>      | <b>Double footlight</b>                             |
| <b>Guarantee</b>    | 10 years warranted and insured by Lloyd's of London |
| <b>Energy label</b> | G   |
| <b>Lumens</b>       | 690   |
| <b>Watts</b>        | 9   |
| <b>Lumen/Watts</b>  | 77  |
| <b>Dimensions</b>   | 220mm height  |
| <b>Weight</b>       | 1900 grams  |
| <b>Lamp</b>         | GU5.3 MR16 LED 12V                                  |
| <b>CCT</b>          | 3000k   |
| <b>CRI</b>          | 90  |
| <b>Beam angle</b>   | 36 degrees  |
| <b>Certificate</b>  | UKCA, CE, RoHS, Recolight                           |
| <b>Trade mark</b>   | AL  |
| <b>Design</b>       | Peter Nelson  |

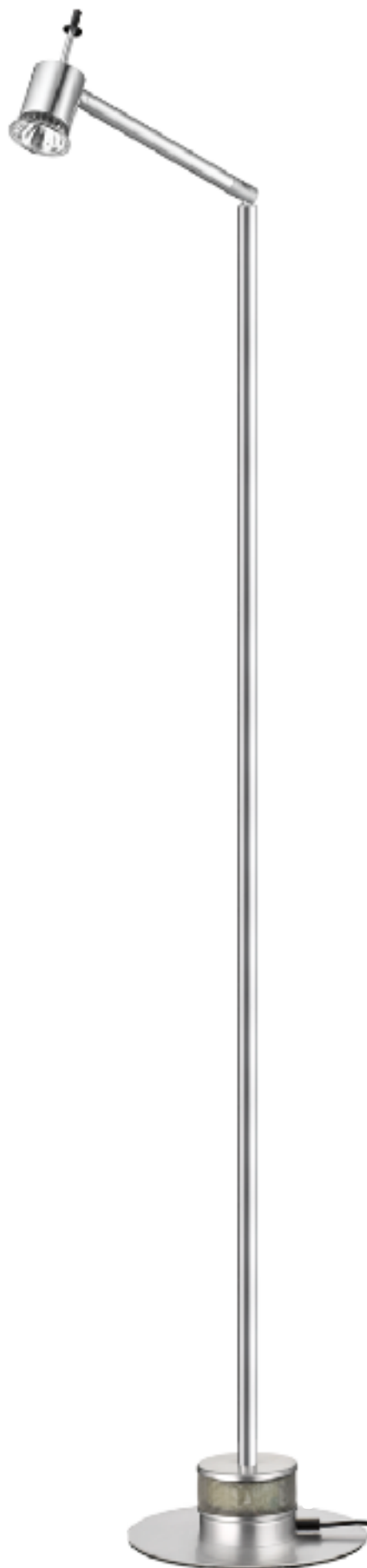
## Series 20

# AL



---

|                     |   |
|---------------------|---|
| <b>25/50</b>        | <b>Table light</b>                                  |
| <b>Guarantee</b>    | 10 years warranted and insured by Lloyd's of London |
| <b>Energy label</b> | G   |
| <b>Lumens</b>       | 690   |
| <b>Watts</b>        | 9   |
| <b>Lumen/Watts</b>  | 77  |
| <b>Dimensions</b>   | 575mm height  |
| <b>Weight</b>       | 1400 grams  |
| <b>Lamp</b>         | GU 5.3MR16 LED 12V                                  |
| <b>CCT</b>          | 3000k   |
| <b>CRI</b>          | 90  |
| <b>Beam angle</b>   | 36 degrees  |
| <b>Certificate</b>  | UKCA, CE, RoHS, Recolight                           |
| <b>Trade mark</b>   | AL  |
| <b>Design</b>       | Peter Nelson  |



|                     |   |
|---------------------|---|
| <b>26/50</b>        | <b>Floor light</b>                                  |
| <b>Guarantee</b>    | 10 years warranted and insured by Lloyd's of London |
| <b>Energy label</b> | G   |
| <b>Lumens</b>       | 690   |
| <b>Watts</b>        | 9   |
| <b>Lumen/Watts</b>  | 77  |
| <b>Dimensions</b>   | 1275mm height                                       |
| <b>Weight</b>       | 1650 grams  |
| <b>Lamp</b>         | GU 5.3 MR16 LED 12V                                 |
| <b>CCT</b>          | 3000k   |
| <b>CRI</b>          | 90  |
| <b>Beam angle</b>   | 36 degrees  |
| <b>Certificate</b>  | UKCA, CE, RoHS, Recolight                           |
| <b>Trade mark</b>   | AL  |
| <b>Design</b>       | Peter Nelson  |



**31 Ceiling or wall light made from aircraft grade hand polished anodised aluminium**

|                     |   |
|---------------------|---|
| <b>Guarantee</b>    | 10 years warranted and insured by Lloyd's of London |
| <b>Energy label</b> | G   |
| <b>Lumens</b>       | 540   |
| <b>Watts</b>        | 8   |
| <b>Lumen/Watts</b>  | 73  |
| <b>Dimensions</b>   | 130mm projection                                    |
| <b>Weight</b>       | 230 grams   |
| <b>Lamp</b>         | B15d AR70 LED 12V reflector                         |
| <b>CCT</b>          | 3000k   |
| <b>CRI</b>          | 90  |
| <b>Beam angle</b>   | 25 degrees  |
| <b>Certificate</b>  | UKCA, CE, RoHS, Recolight                           |
| <b>Trade mark</b>   | AL  |
| <b>Design</b>       | Peter Nelson  |



**31T**                    **Ceiling or wall light made from aircraft grade hand polished anodised aluminium**

|                     |   |
|---------------------|---|
| <b>Guarantee</b>    | 10 years warranted and insured by Lloyd's of London |
| <b>Energy label</b> | G   |
| <b>Lumens</b>       | 540   |
| <b>Watts</b>        | 8   |
| <b>Lumen/Watts</b>  | 68  |
| <b>Dimensions</b>   | 130mm projection                                    |
| <b>Weight</b>       | 410 grams   |
| <b>Lamp</b>         | B15d AR70 LED 12V reflector                         |
| <b>CCT</b>          | 3000k   |
| <b>CRI</b>          | 90  |
| <b>Beam angle</b>   | 25 degrees  |
| <b>Certificate</b>  | UKCA, CE, RoHS, Recolight                           |
| <b>Trade mark</b>   | AL  |
| <b>Design</b>       | Peter Nelson  |

## Series 30

# AL



|                     |  |
|---------------------|--|
| <b>31/50</b>        | <b>Ceiling or wall light made from aircraft grade hand polished anodised aluminium</b> |
| <b>Guarantee</b>    | 10 years warranted and insured by Lloyd's of London                                    |
| <b>Energy label</b> | G  |
| <b>Lumens</b>       | 540  |
| <b>Watts</b>        | 8  |
| <b>Lumen/Watts</b>  | 68   |
| <b>Dimensions</b>   | 170mm projection   |
| <b>Weight</b>       | 955 grams  |
| <b>Lamp</b>         | B15d AR70 LED 12V reflector  |
| <b>CCT</b>          | 3000k  |
| <b>CRI</b>          | 90   |
| <b>Beam angle</b>   | 25 degrees   |
| <b>Certificate</b>  | UKCA, CE, RoHS, Recolight  |
| <b>Trade mark</b>   | AL   |
| <b>Design</b>       | Peter Nelson   |



**31/2 x 50**      **Ceiling or wall light made from aircraft grade hand polished anodised aluminium**

**Guarantee**      10 years warranted and insured by Lloyd's of London

**Energy label**      G

**Lumens**      540

**Watts**      8

**Lumen/Watts**      68

**Dimensions**      220mm projection

**Weight**      1615 grams

**Lamp**      B15d AR70 LED 12V reflector

**CCT**      3000k

**CRI**      90

**Beam angle**      24 degrees

**Certificate**      UKCA, CE, RoHS, Recolight

**Trade mark**      AL

**Design**      Peter Nelson



**41 Ceiling or wall light made from aircraft grade hand polished anodised aluminium**

**Guarantee** 10 years warranted and insured by Lloyd's of London

**Energy label** G

**Lumens** 540

**Watts** 14-8

**Lumen/Watts** 60

**Dimensions** 100mm projection

**Weight** 220 grams

**Lamp** AR111 AR70 LED 12V reflector

**CCT** 3000k

**CRI** 90

**Beam angle** 24 degrees

**Certificate** UKCA, CE, RoHS, Recolight

**Trade mark** AL

**Design** Peter Nelson



|                     |  |
|---------------------|--|
| <b>41/2</b>         | <b>Ceiling or wall light made from aircraft grade hand polished anodised aluminium</b> |
| <b>Guarantee</b>    | 10 years warranted and insured by Lloyd's of London                                    |
| <b>Energy label</b> | G  |
| <b>Lumens</b>       | 888  |
| <b>Watts</b>        | 14-8   |
| <b>Lumen/Watts</b>  | 60   |
| <b>Dimensions</b>   | 170mm width  |
| <b>Weight</b>       | 445 grams  |
| <b>Lamp</b>         | AR111 AR70 LED 12V reflector   |
| <b>CCT</b>          | 3000k  |
| <b>CRI</b>          | 90   |
| <b>Beam angle</b>   | 24 degrees   |
| <b>Certificate</b>  | UKCA, CE, RoHS, Recolight  |
| <b>Trade mark</b>   | AL   |
| <b>Design</b>       | Peter Nelson   |



**41/4 Ceiling or wall light made from aircraft grade hand polished anodised aluminium**

**Guarantee** 10 years warranted and insured by Lloyd's of London

**Energy label** G

**Lumens** 888

**Watts** 14-8

**Lumen/Watts** 60

**Dimensions** 1000mm width

**Weight** 1370 grams

**Lamp** B15d AR70 LED 12V reflector

**CCT** 3000k

**CRI** 90

**Beam angle** 24 degrees

**Certificate** UKCA, CE, RoHS, Recolight

**Trade mark** AL

**Design** Peter Nelson



**41/6**      **Ceiling or wall light made from aircraft grade hand polished anodised aluminium**

**Guarantee**      10 years warranted and insured  
by Lloyd's of London

**Energy label**      G

**Lumens**      888

**Watts**      14-8

**Lumen/Watts**      60

**Dimensions**      1500mm width

**Weight**      2000 grams

**Lamp**      B15d AR70 LED 12V reflector

**CCT**      3000k

**CRI**      90

**Beam angle**      24 degrees

**Certificate**      UKCA, CE, RoHS, Recolight

**Trade mark**      AL

**Design**      Peter Nelson

## Series 200

# AL



**201**      **Wall and ceiling light made from aircraft grade hand polished anodised aluminium**

**Guarantee**      10 years warranted and insured by Lloyd's of London

**Energy label**      G

**Lumens**      1110

**Watts**      8.5

**Lumen/Watts**      130

**Dimensions**      150mm projection

**Weight**      215 grams

**Lamp**      GU10 63mm dia LED

**CCT**      3000k

**CRI**      90

**Beam angle**      38 degrees

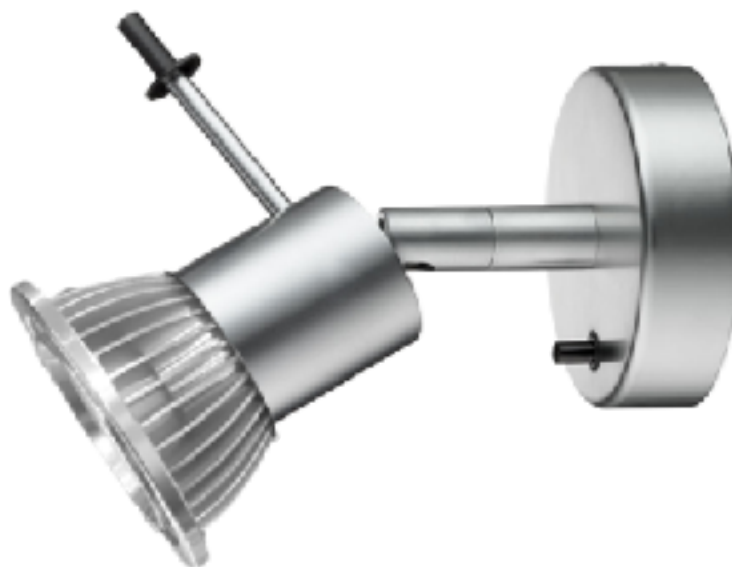
**Certificate**      UKCA, CE, RoHS, Recolight

**Trade mark**      AL

**Design**      Peter Nelson

## Series 200

# AL



**201/SW**      **Switched wall light made from aircraft grade hand polished anodised aluminium**

**Guarantee**      10 years warranted and insured by Lloyd's of London

**Energy label**      G

**Lumens**      1110

**Watts**      8.5

**Lumen/Watts**      130

**Dimensions**      150mm projection

**Weight**      220 grams

**Lamp**      GU10 63mm dia LED

**CCT**      3000k

**CRI**      90

**Beam angle**      38 degrees

**Certificate**      UKCA, CE, RoHS, Recolight

**Trade mark**      AL

**Design**      Peter Nelson

## Series 200

# AL



**201/2**      **Twin ceiling light made from aircraft grade hand polished anodised aluminium**

**Guarantee**      10 years warranted and insured by Lloyd's of London

**Energy label**      G

**Lumens**      1110

**Watts**      8.5

**Lumen/Watts**      130

**Dimensions**      170mm projection

**Weight**      435 grams

**Lamp**      GU10 63mm dia LED

**CCT**      3000k

**CRI**      90

**Beam angle**      38 degrees

**Certificate**      UKCA, CE, RoHS, Recolight

**Trade mark**      AL

**Design**      Peter Nelson



**201/3**      **Triple ceiling light made from aircraft grade hand polished anodised aluminium**

**Guarantee**      10 years warranted and insured by Lloyd's of London

**Energy label**      G

**Lumens**      1110

**Watts**      8.5

**Lumen/Watts**      130

**Dimensions**      280mm width

**Weight**      620 grams

**Lamp**      GU10 63mm dia LED

**CCT**      3000k

**CRI**      90

**Beam angle**      38 degrees

**Certificate**      UKCA, CE, RoHS, Recolight

**Trade mark**      AL

**Design**      Peter Nelson



**201/4**      **Four spot ceiling light made from aircraft grade hand polished anodised aluminium**

**Guarantee**      10 years warranted and insured by Lloyd's of London

**Energy label**      G

**Lumens**      1110

**Watts**      8.5

**Lumen/Watts**      130

**Dimensions**      1000mm width

**Weight**      1350 grams

**Lamp**      GU10 63mm dia LED

**CCT**      3000k

**CRI**      90

**Beam angle**      38 degrees

**Certificate**      UKCA, CE, RoHS, Recolight

**Trade mark**      AL

**Design**      Peter Nelson



**201/6**      **Six spot ceiling light made from aircraft grade hand polished anodised aluminium**

**Guarantee**      10 years warranted and insured by Lloyd's of London

**Energy label**      G

**Lumens**      1110

**Watts**      8.5

**Lumen/Watts**      130

**Dimensions**      1500mm width

**Weight**      1970 grams

**Lamp**      GU10 63mm dia LED

**CCT**      3000k

**CRI**      90

**Beam angle**      38 degrees

**Certificate**      UKCA, CE, RoHS, Recolight

**Trade mark**      AL

**Design**      Peter Nelson

## Series 200

# AL



---

**205**                      **Table light made from aircraft grade hand polished anodised aluminium**

**Guarantee**            10 years warranted and insured by Lloyd's of London

**Energy label**        E

**Lumens**                1110

**Watts**                 8.5

**Lumen/Watts**        130

**Dimensions**        690mm height

**Weight**                2180 grams

**Lamp**                 GU10 63mm dia LED

**CCT**                  3000k

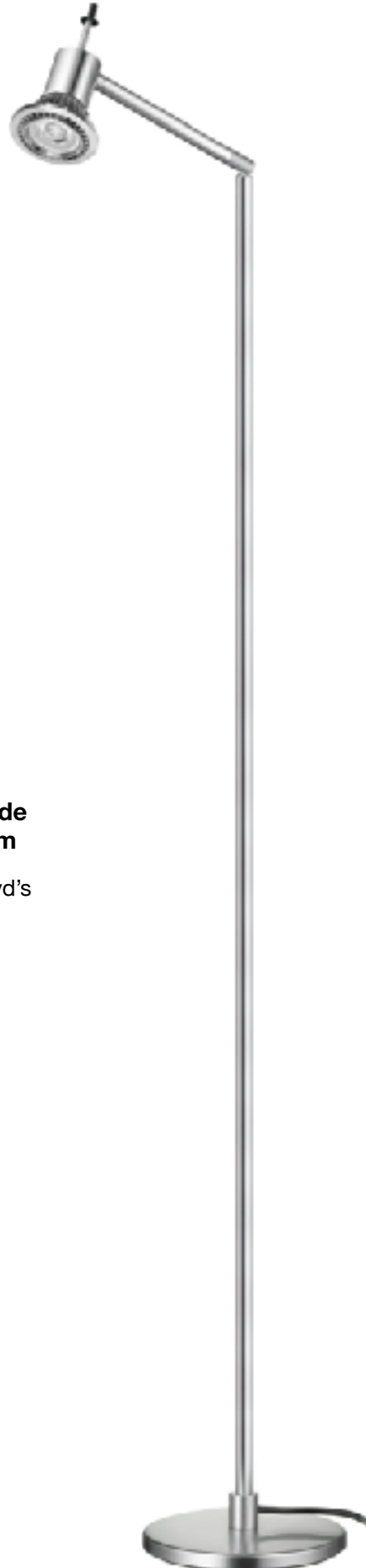
**CRI**                    90

**Beam angle**        38 degrees

**Certificate**        UKCA, CE, RoHS, Recolight

**Trade mark**        AL

**Design**              Peter Nelson



**206** Floor light made from aircraft grade hand polished anodised aluminium

|                     |   |
|---------------------|---|
| <b>Guarantee</b>    | 10 years warranted and insured by Lloyd's of London |
| <b>Energy label</b> | G   |
| <b>Lumens</b>       | 1110  |
| <b>Watts</b>        | 8.5   |
| <b>Lumen/Watts</b>  | 130   |
| <b>Dimensions</b>   | 1450mm height                                       |
| <b>Weight</b>       | 3605 grams  |
| <b>Lamp</b>         | GU10 63mm dia LED                                   |
| <b>CCT</b>          | 3000k   |
| <b>CRI</b>          | 90  |
| <b>Beam angle</b>   | 38 degrees  |
| <b>Certificate</b>  | UKCA, CE, RoHS, Recolight                           |
| <b>Trade mark</b>   | AL  |
| <b>Design</b>       | Peter Nelson  |

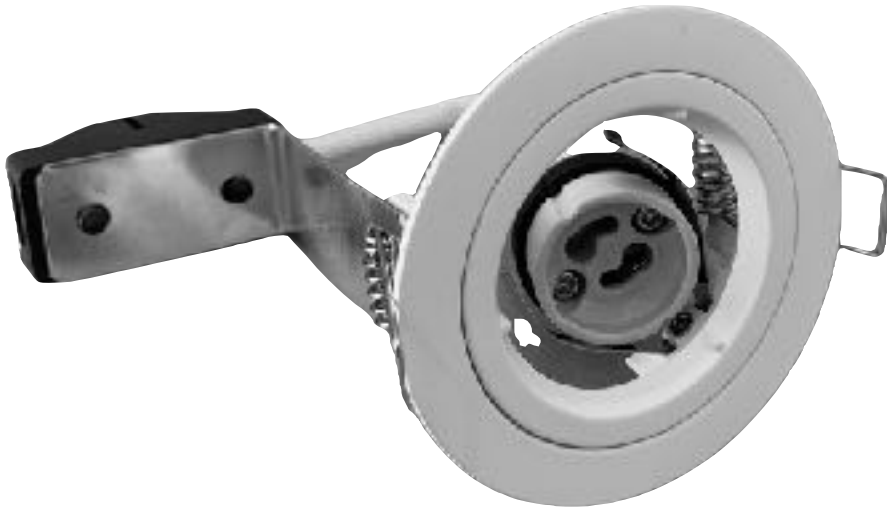
## Downlight



|                    |   |
|--------------------|---|
| <b>Downlight</b>   | <b>Round white bathroom downlight</b>               |
| <b>Guarantee</b>   | 10 years warranted and insured by Lloyd's of London |
| <b>Lumens</b>      | 450 or 630  |
| <b>Watts</b>       | 5 or 7 GU10 dim or non-dim                          |
| <b>Dimensions</b>  | Dia. 85mm, Height 73mm                              |
| <b>Cut out</b>     | 75mm  |
| <b>Certificate</b> | UKCA, CE, RoHS, Recolight                           |
| <b>Trade mark</b>  | AL  |
| <b>Glass</b>       | Clear or Opal                                       |
| <b>IP</b>          | 65, Bathroom  |

# Downlight

# AL



|                    |  |
|--------------------|--|
| <b>Downlight</b>   | <b>Fixed downlight - white</b>   |
| <b>Guarantee</b>   | 10 years warranted and insured by Lloyd's of London                              |
| <b>Dimensions</b>  | Dia. 80mm,<br>Silicon 15cm cable, metal strip:<br>Terminal block and GU10 holder |
| <b>Cut out</b>     | 70mm   |
| <b>Certificate</b> | UKCA, CE, RoHS, Recolight  |
| <b>Trade mark</b>  | AL   |
| <b>IP</b>          | 20, general use  |

## GU10

# AL



|                     |   |
|---------------------|---|
| <b>GU10</b>         | <b>Dim or non-dim</b>                               |
| <b>Guarantee</b>    | 10 years warranted and insured by Lloyd's of London |
| <b>Lumens</b>       | 450 or 630  |
| <b>Energy label</b> | F   |
| <b>Watts</b>        | 5 or 7  |
| <b>CCT</b>          | 3000K   |
| <b>CRI</b>          | 80  |
| <b>Dimensions</b>   | Dia. 50mm, Height 55.5mm                            |
| <b>Service Life</b> | 50,000 hours  |
| <b>Beam angle</b>   | 38 degrees  |
| <b>Dimmable</b>     | Non dim or dimmable use Varilight V-Pro 300watt     |
| <b>Certificate</b>  | UKCA, CE, RoHS, Recolight                           |
| <b>Trade mark</b>   | AL  |

"that which is not worth doing,  
is not worth doing well"

Warren Buffett

# **Allom**

# **Architectural Lighting**